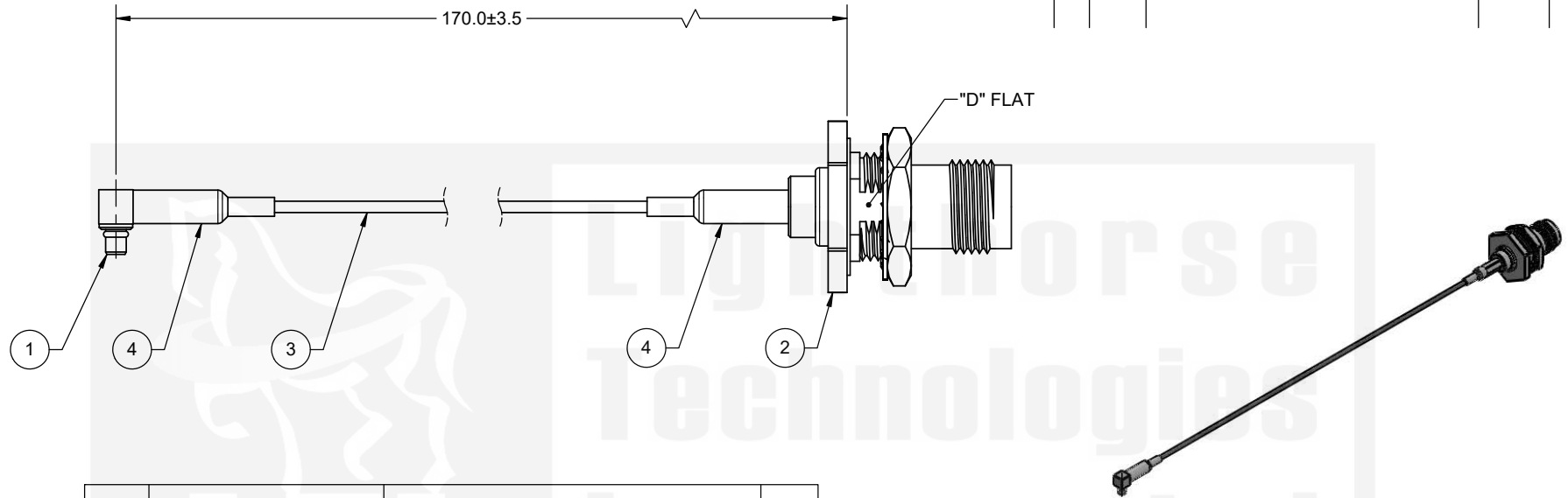


**REVISIONS**

REV	ECR	DESCRIPTION	DRAWN	DATE
1		ENGINEERING RELEASE	M. LARSEN	03/23/2023



ITEM	PART NUMBER	DESCRIPTION	QTY
1	MCLM11GT-178	MMCX, RIGHT ANGLE, PLUG, CABLE CRIMP	1
2	TSF13RNT-316-X16	TNC, STRAIGHT, JACK, BLKHD MNT, O-RING, IP-67, CABLE CRIMP	1
3	1.32D MICRO COAX	CABLE, 1.32D DOUBLE SHIELDED MICRO COAX, GREEN	AR
4	1635F-1/8"	.125 (1/8) DIA, .5 LENGTH, GREEN	1

DO NOT SCALE DRAWING			<b>Lighthouse Technologies</b>		
TOLERANCES UNLESS OTHERWISE SPECIFIED			San Diego, CA WWW.RFCONNECTOR.COM		
DIMENSIONS ARE IN MILLIMETERS			TITLE: CABLE ASSEMBLY, R/A MMCX PLUG, CRIMP TO SMA JACK, BLKHD MNT, O-RING, IP-67 CRIMP USING 1.32D MICRO COAX, GREEN		
X = ±0.5 XX = ±0.25 XXX = ±0.13 ANGLE = ±30°			SIZE	PART/DWG. NO:	REV
CUSTOMER APPROVAL			B	CB1.32D-MCLMGT-TF3NTX16-170MM	1
SIGN / DATE:		SCALE: 2:1		FILE NAME	
ENG APPR.	P. BURDGE	DATE		SHEET 1 OF 1	
CHECKED	M. HELD	DATE			
DRAWN	M. LARSEN	DATE			
	NAME	DATE			

**PROPRIETARY AND CONFIDENTIAL**

UNLESS OTHERWISE SPECIFIED, THIS DOCUMENT CONTAINS LIGHTHORSE TECHNOLOGIES INFORMATION. REPRODUCTION, USE, DISCLOSURE OR TRANSMITTAL OF ALL OR ANY PART OF THIS DOCUMENT IS PROHIBITED EXCEPT TO THE EXTENT APPROVED IN WRITING BY AN AUTHORIZED REPRESENTATIVE OF LIGHTHORSE TECHNOLOGIES. LIGHTHORSE TECHNOLOGIES RESERVES ALL RIGHTS UNDER PATENTS, TRADEMARKS, COPYRIGHTS AND TRADE SECRETS. COPY RIGHTS OF LIGHTHORSE TECHNOLOGIES 2011, ALL RIGHTS RESERVED.

